

# CRAFTMADE

## LIGHTING

Urbane #43961-BNK/#43961-OBG

**PLEASE READ AND SAVE FOR FUTURE REFERENCE.**

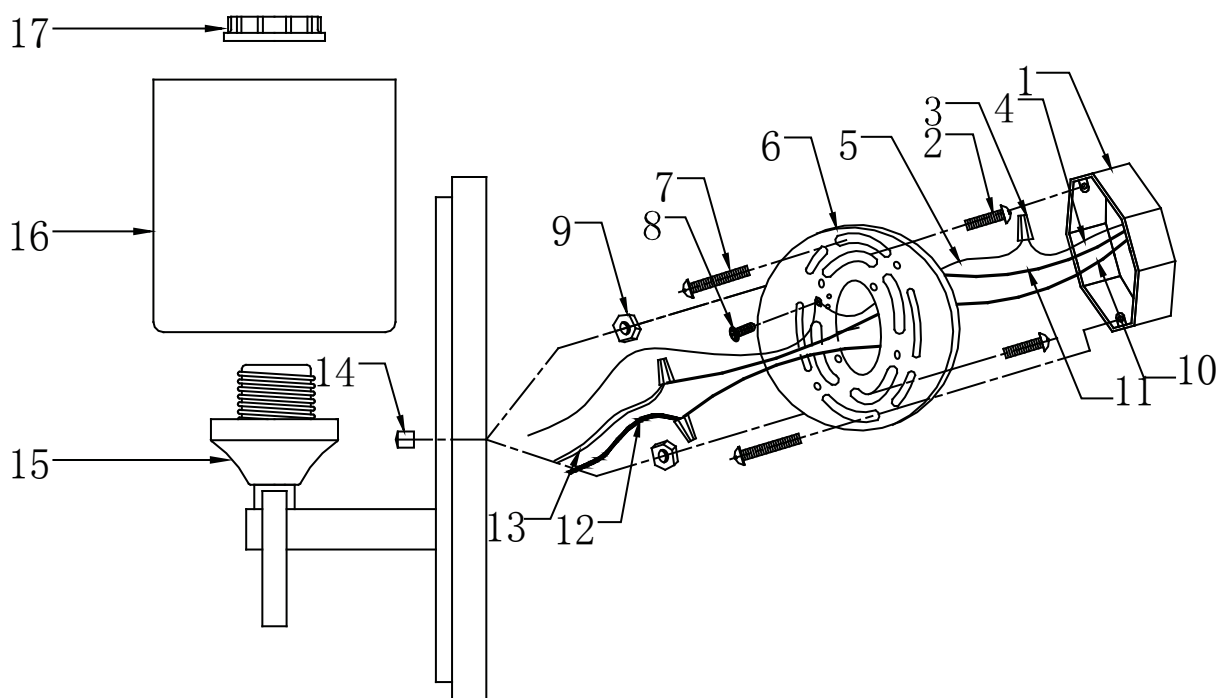
### CAUTION

1. Turn off the main power at the circuit breaker before installing the fixture in order to prevent possible shock.
2. All electrical connections must be in accordance with local and National Electrical Code (N.E.C.) standards. If you are unfamiliar with proper electrical wiring connections, obtain the services of a qualified electrician.
3. **WARNING:** The outlet box must be capable of supporting at least 25lb.

### GENERAL

Remove all parts and hardware from the box and make sure that none are missing by referencing the illustrations provided.

**Bulb Required (not included): 1 Medium Base 60 Watt Max.**



### 1-LIGHT WALL SCONCE

- |                                      |   |
|--------------------------------------|---|
| 1. OUTLET BOX (not included)         | 10. BLACK SUPPLY WIRE (not included)    |
| 2. FIXTURE SCREWS                    | 11. WHITE SUPPLY WIRE (not included)    |
| 3. WIRE CONNECTORS                   | 12. SMOOTH (or BLACK) FIXTURE LEAD WIRE |
| 4. SUPPLY GROUND WIRE (not included) | 13. RIBBED (or WHITE) FIXTURE LEAD WIRE |
| 5. FIXTURE GROUND WIRE               | 14. LOCK-UP KNOB                        |
| 6. MOUNTING PLATE                    | 15. FIXTURE BODY                        |
| 7. OUTLEX BOX SCREW                  | 16. GLASS SHADE                         |
| 8. GROUND SCREW (pre-attached)       | 17. SOCKET RING                         |
| 9. HEX NUTS (pre-attached)           |   |