

CRAFTMADE

LIGHTING

Urbane #43934-BNK/#43934-OBG

PLEASE READ AND SAVE FOR FUTURE REFERENCE.

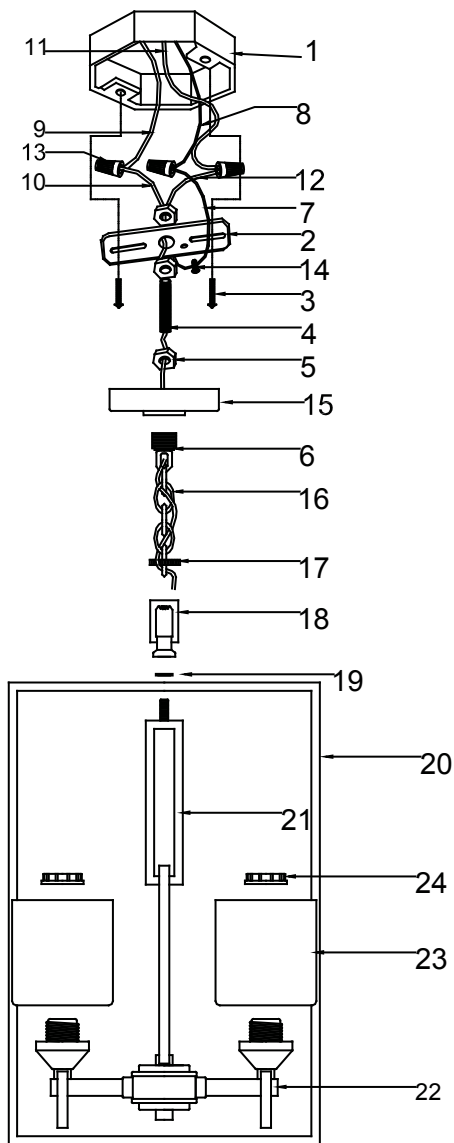
CAUTION

1. Turn off the main power at the circuit breaker before installing the fixture in order to prevent possible shock.
2. All electrical connections must be in accordance with local and National Electrical Code (N.E.C.) standards. If you are unfamiliar with proper electrical wiring connections, obtain the services of a qualified electrician.
3. **WARNING:** The outlet box must be capable of supporting at least 25lb.

GENERAL

Remove all parts and hardware from the box and make sure that none are missing by referencing the illustrations provided.

Bulb Required (not included): 4 Medium Base 60 Watt Max.



4-LIGHT CHANDELIER

1. OUTLET BOX (not included)
2. MOUNTING STRAP
3. OUTLEX BOX SCREWS
(pre-attached to outlex box)
4. THREADED ROD (pre-attached)
5. HEX NUTS (pre-attached)
6. SCREW COLLAR LOOP (pre-attached)
7. FIXTURE GROUND WIRE
8. SUPPLY GROUND WIRE (not included)
9. WHITE SUPPLY WIRE (not included)
10. RIBBED(or WHITE) FIXTURE LEAD WIRE
11. BLACK SUPPLY WIRE (not included)
12. SMOOTH (or BLACK) FIXTURE LEAD WIRE
13. WIRE CONNECTORS
14. GROUND SCREW (pre-attached)
15. CANOPY
16. CHAIN
17. THREADED RING(pre-attached)
18. FIXTURE LOOP
19. RUBBER WASHER(pre-attached)
20. FIXTURE METAL FRAME
21. FIXTURE COLUMN
22. FIXTURE BODY
23. GLASS SHADE
24. SOCKET RING(pre-attached)