

# CRAFTMADE

## LIGHTING

Urbane #43903-BNK/#43903-OBG

**PLEASE READ AND SAVE FOR FUTURE REFERENCE.**

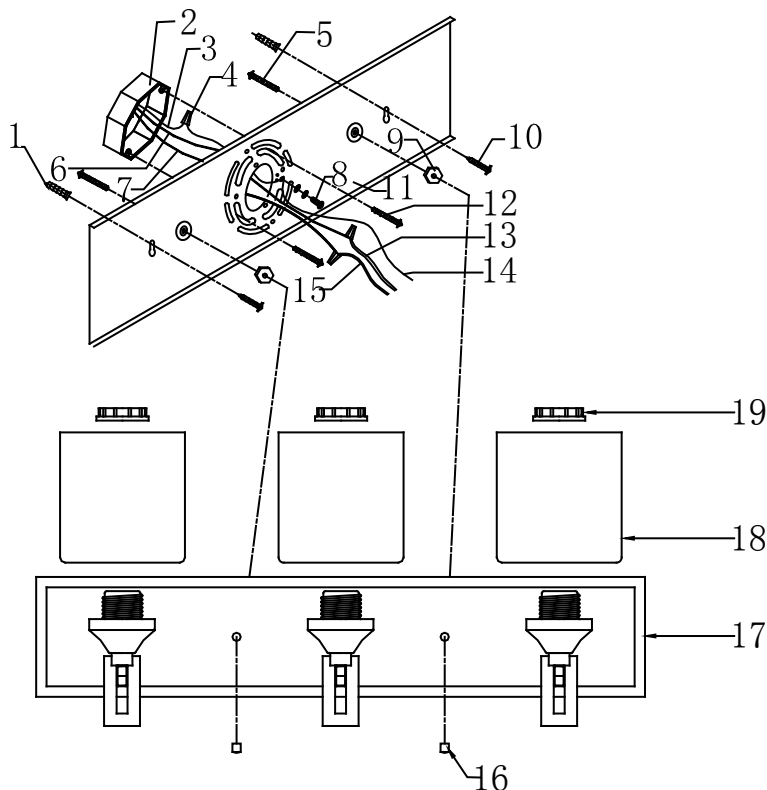
### CAUTION

1. Turn off the main power at the circuit breaker before installing the fixture in order to prevent possible shock.
2. All electrical connections must be in accordance with local and National Electrical Code (N.E.C.) standards. If you are unfamiliar with proper electrical wiring connections, obtain the services of a qualified electrician.
3. **WARNING:** The outlet box must be capable of supporting at least 25lb.

### GENERAL

Remove all parts and hardware from the box and make sure that none are missing by referencing the illustrations provided.

**Bulb Required (not included): 3 Medium Base 60 Watt Max.**



### 3-LIGHT VANITY BATH

1. ANCHORS
2. OUTLET BOX (not included)
3. SUPPLY GROUND WIRE (not included)
4. WIRE CONNECTORS
5. FIXTURE SCREWS(pre-attached)
6. WHITE SUPPLY WIRE (not included)
7. BLACK SUPPLY WIRE (not included)
8. GROUND SCREW (pre-attached)
9. HEX NUTS (pre-attached)
10. ANCHOR SCREWS
11. MOUNTING PLATE
12. OUTLEX BOX SCREWS  
(pre-attached to outlex box)
13. RIBBED(or WHITE) FIXTURE LEAD WIRE
14. FIXTURE GROUND WIRE
15. SMOOTH (or BLACK) FIXTURE LEAD WIRE
16. LOCK-UP KNOB
17. FIXTURE
18. GLASS SHADE
19. SOCKET RING